



CLAY TARGET MACHINES

## SOLAR PANEL ASSEMBLY INSTRUCTIONS

MEC P/N – 120000204

**CAUTION: ANY MEC CLAY TARGET MACHINE MUST BE IN THE DISARMED STATE WITH THE BATTERY DISCONNECTED PRIOR TO MAKING ANY ADJUSTMENTS, LOADING THE CLAY TARGETS OR TRANSPORTATION OF MACHINE.**

NO.	Description	QTY.	P/N
1	SOLAR MOUNT WELDMENT	1	120000212
2	SOLAR MOUNT TUBE	1	120000213
3	SOLAR PANEL PLATE	1	120100256
4	5/16"–18 FLANGE LOCK NUT	2	HDW2020
5	1/4"-20 X 1/2" HEX BOLT	6	HDW5633
6	1/2"-13 X 1.25 HEX BOLT	4	HDW6211
7	5/16" – 18 X 2.00" HEX BOLT	5	HDW8303
8	#10-32 HEX NUT	1	HDW7543
9	#10-32 X 1/2" HEX BOLT	1	HDW2001

**Step 1** – Attach the solar mount tube to the pin on the solar mount weldment. Secure using the 1/4"-20 Hex bolt.

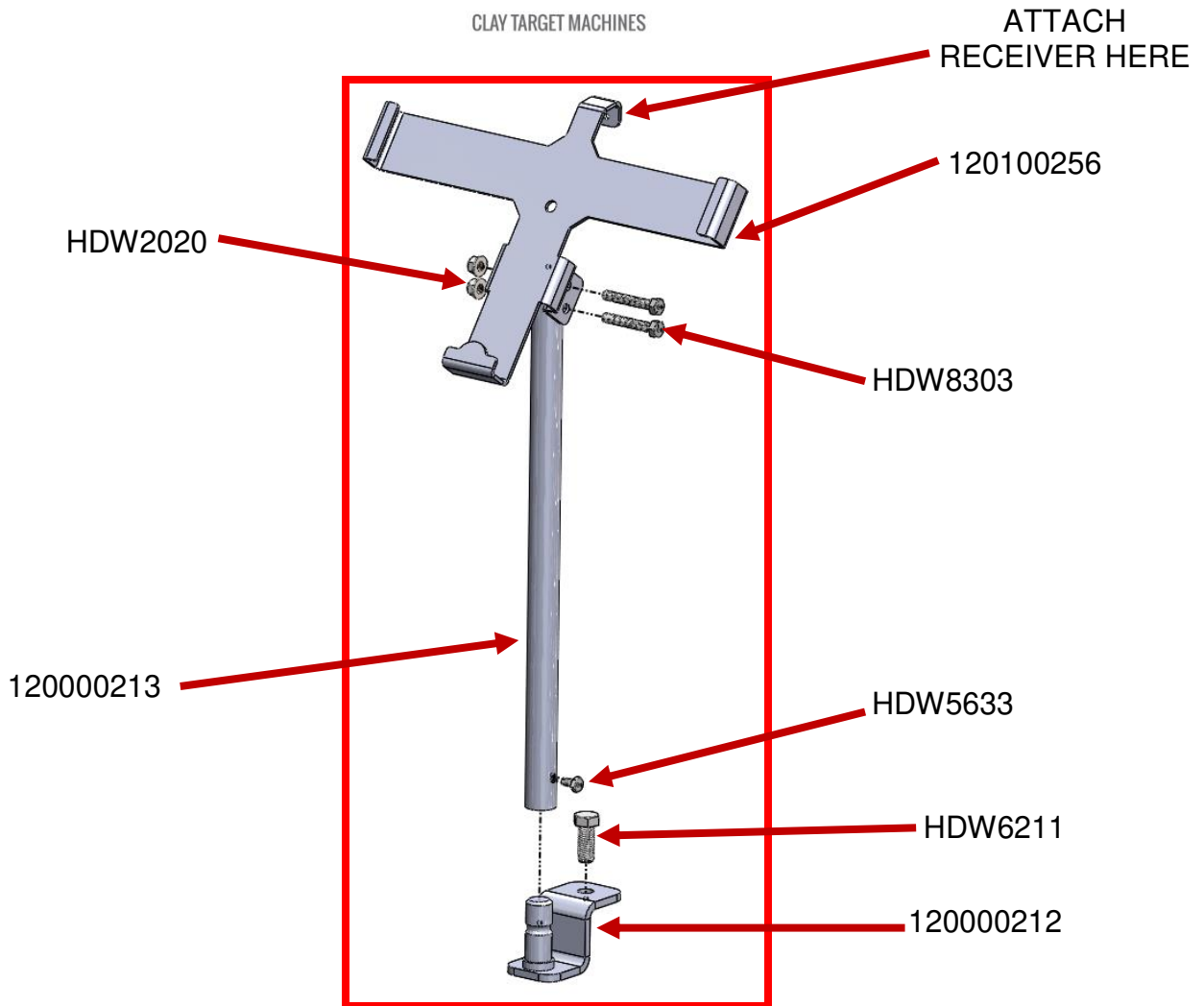
**Step 2** – Next, attach the plate to the tube. Secure using the 5/16" Hardware.

**Step 3** – Lastly, attach the Assembly to the T-cart using the 1/2" hex head bolt provided.

Step 4 – The #10-32 hardware provided is there for you to attach your receiver the back of the solar panel.



CLAY TARGET MACHINES



For any questions regarding setup or use of any MEC Clay Target Machines, please give us a call or you can visit us on our website for video footage showing how setup and adjustments are made.

For a complete listing of spare parts for MEC and other brands of machines, and for pricing, be sure to check out our website.

MEC Clay Target Machines  
800 Horicon Street, Suite 1  
Mayville, WI 53050 USA  
920-387-4500  
1-800-676-0365

[www.mecshootingsports.com](http://www.mecshootingsports.com)